

# **DAM6051S**

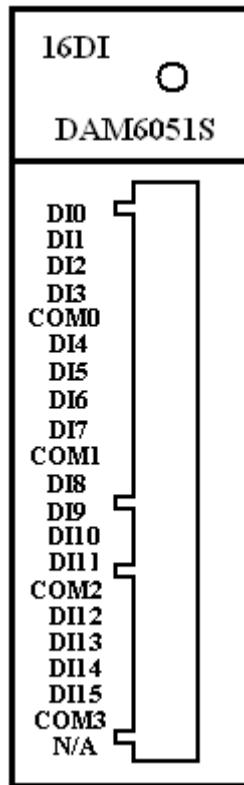
## **User's Manual**



**Beijing ART Technology Development Co., Ltd.**

## DAM6051S

### ◆ Terminal Distribution

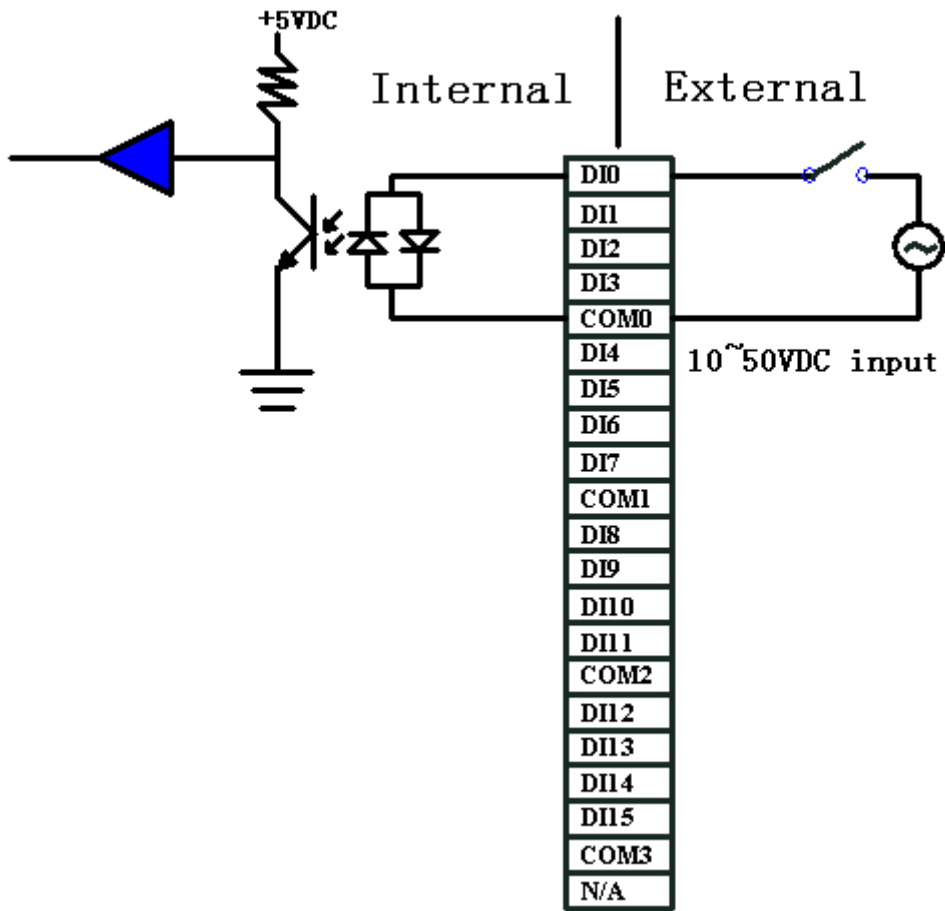


### ◆ Feature

16 Channels Digital Input Module (with LED)

- 16 channel isolated digital inputs
- Input Voltage Level:
  - Logic level 0: +3 V (max)
  - Logic level 1: 10 V ~ 50V
- Optical Isolation: 2500V DC
- LED Indicator:
  - ON: working
  - OFF: is not working
- Power Consumption: 0.8W (typical)

◆ Wiring



External Wiring (external connect with 0 ~ 50VDC, both positive and negative direction is OK)